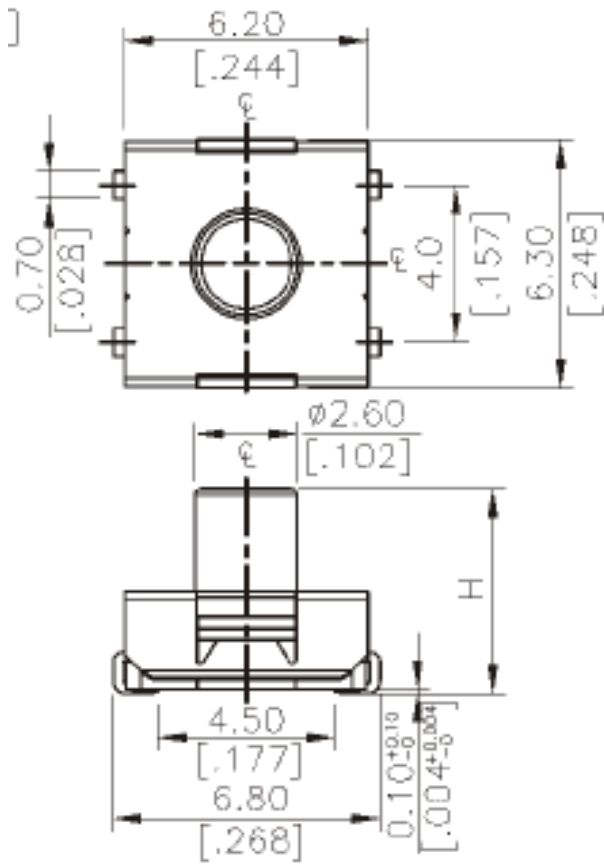




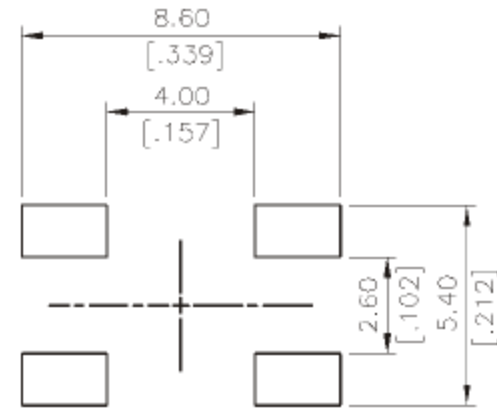
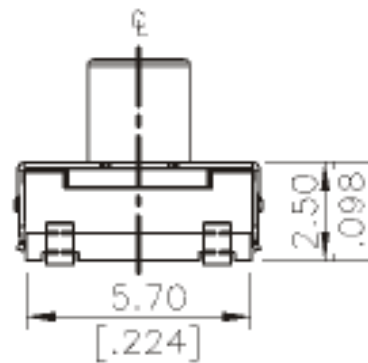
DTSJW□-6 SERIES

DIMENSIONS

DTSJW□-6



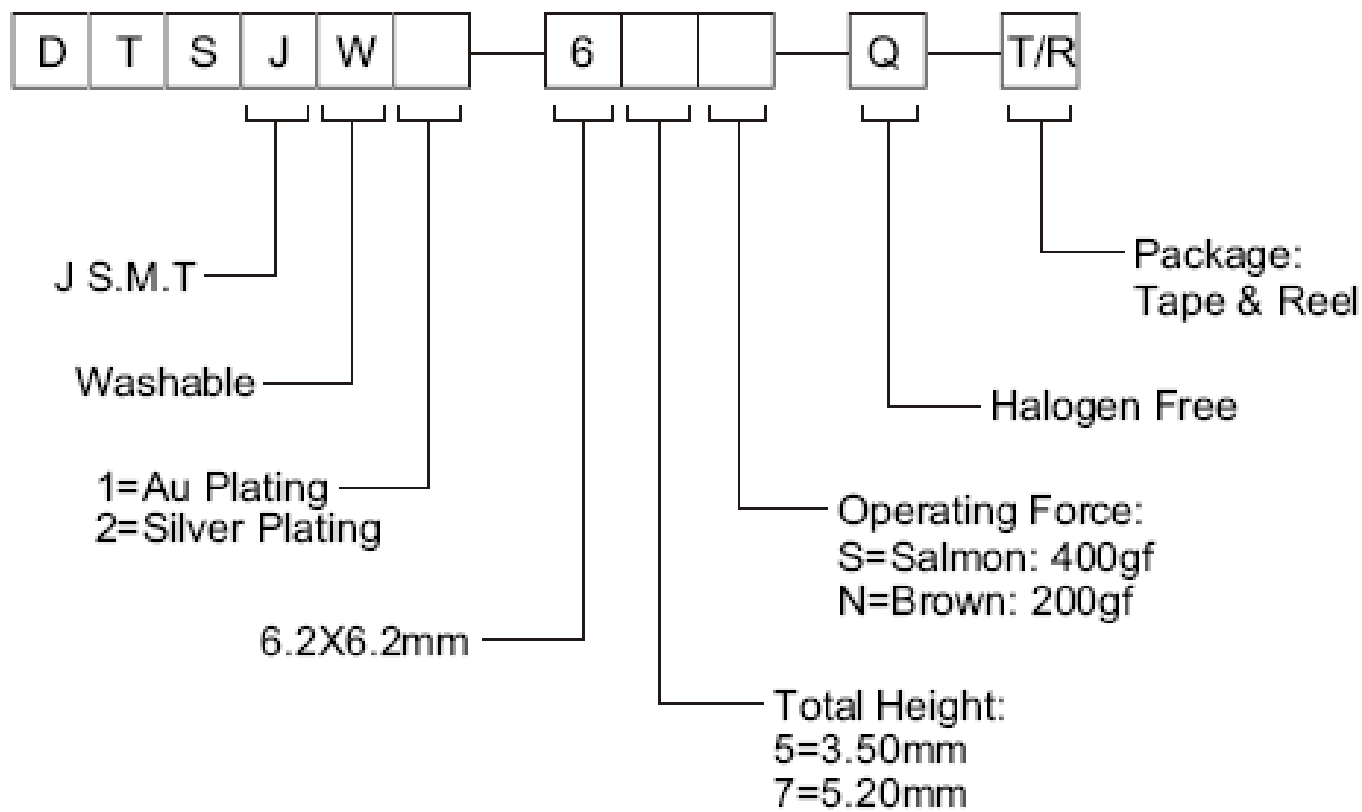
| | |
|-----------|-------------|
| DTSJW□-67 | 5.20 [.205] |
| DTSJW□-65 | 3.50 [.138] |
| PART NO. | H |



P.C.B. LAYOUT

General Tolerance : ±0.2mm

HOW TO ORDER



SPECIFICATION

△MECHANICAL

Operation Force:

400± 100gf, Salmon (S)

200± 50gf, Brown (N)

**Stop Strength: Max 3kgf vertical static load continuously
for 15 seconds**

**Stroke: 0.60±0.2mm, S
0.40±0.2mm, N**

Operation Temperature: -40°C to +85°C

Storage Temperature: -40°C to + 85°C

△ELECTRICAL

Electrical Life:

300,000 cycles

Rating: 50mA, 12VDC

Contact Resistance: 100mΩ max.

Insulation Resistance: 100MΩ min. at 500VDC

Dielectric Strength: 250VAC/ minute

Contact Arrangement: 1 pole 1 throw

MATERIAL

△COVER: Stainless steel

△TERMINAL: Brass with silver plated

**△BASE: UL94V-0 Nylon High-Temp. Thermoplastic
Color: Black**

△STEM : Silicon Rubber Color : Brown (200gf)

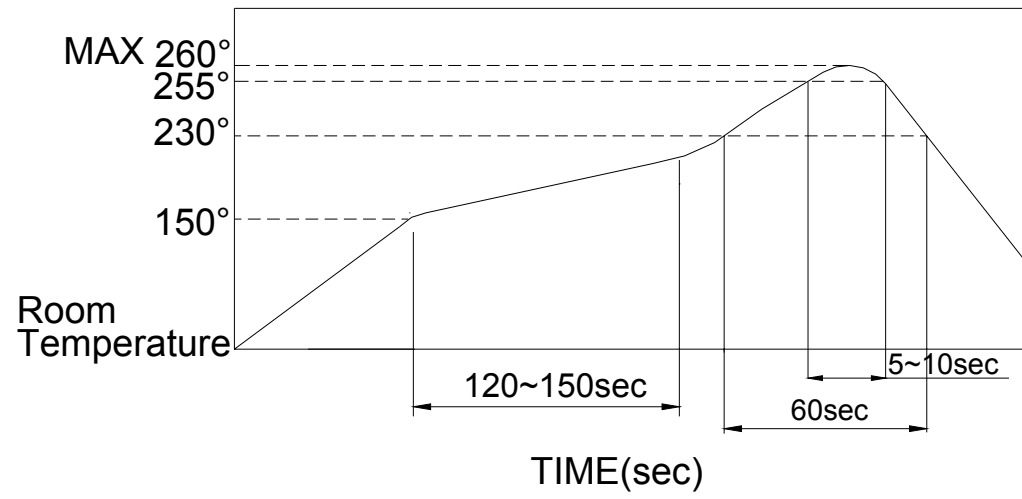
△CONTACT: Stainless steel

SOLDERING PROCESS

△ **HAND SOLDERING** : Use a soldering iron of 30 watts, controlled at 350°C approximately max 5 seconds while applying solder.

△ **SOLDERING** : Vapor phase & reflow soldering can be applied

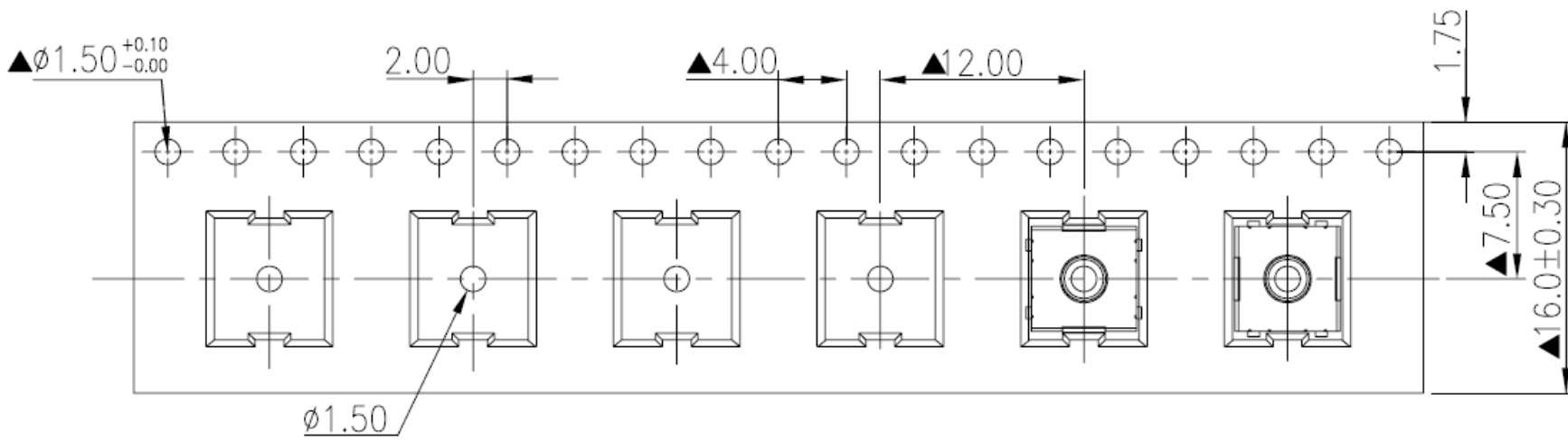
△ **Temperature Profile:**



PACKING

| Part Number | Number Per Tube | Number Per Reel |
|-------------|-----------------|-----------------|
| DTSJW□-6 | | 900 |
| | | |
| | | |
| | | |
| | | |

REEL



General Tolerance : $\pm 0.1\text{mm}$